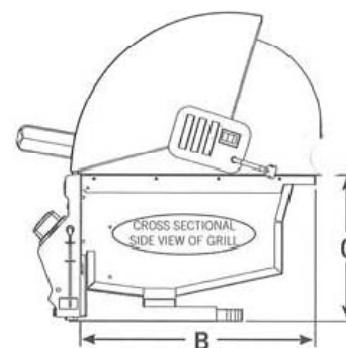


••OPENING REQUIRED••

MODEL #	WIDTH	DEPTH	HEIGHT	FACE
	A	B	C	
Aurora A790i	37 ³ / ₄ "	23 ¹ / ₂ "	12"	38 ¹ / ₄ "
Aurora A660i	32"	23 ¹ / ₂ "	12"	32 ¹ / ₂ "
Aurora A540i	32"	19 ¹ / ₂ "	12"	32 ¹ / ₂ "
Aurora A530i	25 ¹ / ₂ "	23 ¹ / ₂ "	12"	26 ¹ / ₂ "
Aurora A430i	25 ¹ / ₂ "	19 ¹ / ₂ "	12"	26 ¹ / ₂ "

Notes:

1. There is a hanger on all three sides of the cutout. This hanger is 2 ³/₄-2 ¹/₂" wide. A support shelf is **not** required; front support adjustment screws are provided for additional support.
2. The face of the grill is, on each side, ¹/₂-³/₄" wider than the cutout width. This conceals the cutout space. The face and hood are the same width (left-right); both are wider than cutout. The face protrudes 3" from the cutout at its furthest point.
3. Additional clearances of 10" on each side, and 3" at the rear are recommended for unrestricted operation of hood, rotisserie, and accessories.



A FIRE MAGIC GRILL PROVIDES THE VERSATILITY TO BAKE A CAKE OR SEAR A STEAK. REGULATED, CONTROLLED HEAT ALLOWS SLOW COOKING—UP TO OVER 1000° AT COOKING SURFACE.

